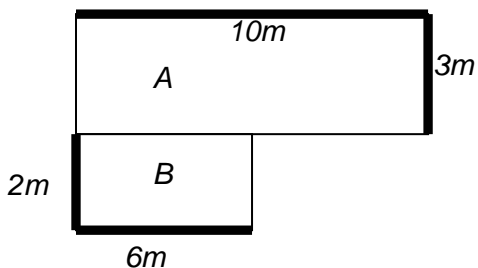


## Clip 86: Arwynebedd Siapau Cyfansawdd

1. Darganfyddwch arwynebedd y siapau gyfansawdd isod.

a.)

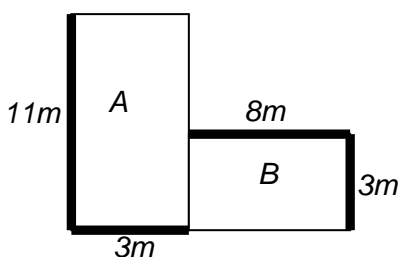


A = \_\_\_\_\_

B = \_\_\_\_\_

Cyfanswm: \_\_\_\_\_

b.)

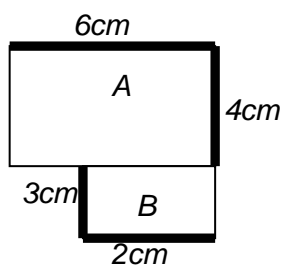


A = \_\_\_\_\_

B = \_\_\_\_\_

Cyfanswm: \_\_\_\_\_

c.)

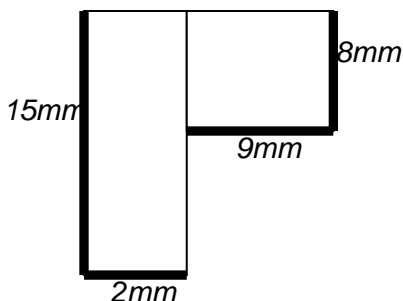


A = \_\_\_\_\_

B = \_\_\_\_\_

Cyfanswm: \_\_\_\_\_

d.)

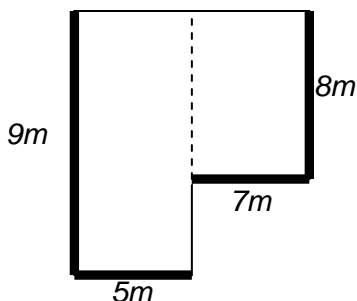


A = \_\_\_\_\_

B = \_\_\_\_\_

Cyfanswm: \_\_\_\_\_

e.)

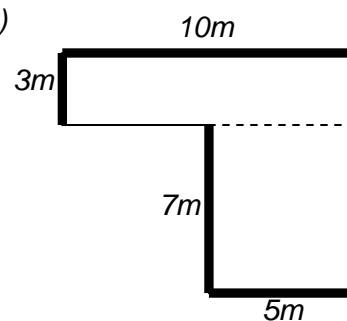


A = \_\_\_\_\_

B = \_\_\_\_\_

Cyfanswm: \_\_\_\_\_

f.)

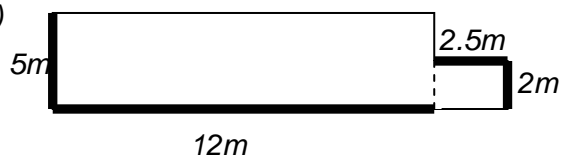


A = \_\_\_\_\_

B = \_\_\_\_\_

Cyfanswm: \_\_\_\_\_

g.)

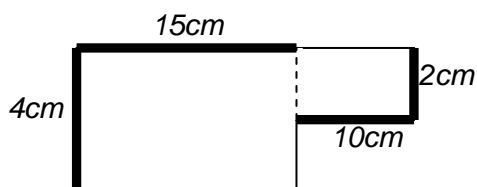


A = \_\_\_\_\_

B = \_\_\_\_\_

Cyfanswm: \_\_\_\_\_

h.)

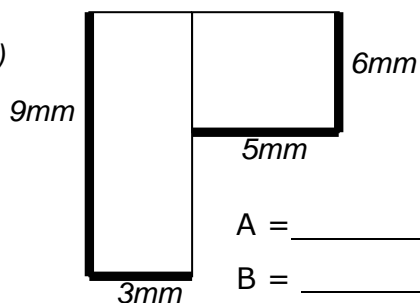


A = \_\_\_\_\_

B = \_\_\_\_\_

Cyfanswm: \_\_\_\_\_

i.)

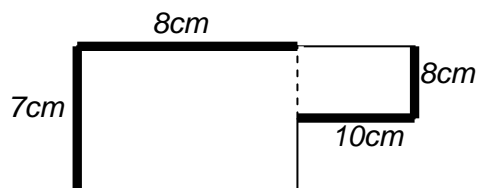


A = \_\_\_\_\_

B = \_\_\_\_\_

Cyfanswm: \_\_\_\_\_

j.)



A = \_\_\_\_\_

B = \_\_\_\_\_

Cyfanswm: \_\_\_\_\_